

# Floor Plan

1:100

### NOTES

Do not scale off dimensions.  
Only figured dimensions maybe used.  
All dimensions must be verified on site; any discrepancies must be referred to the architect.

All dimensions in mm unless stated otherwise  
All structural details to structural engineer's details & approval  
Provide a roof pitch of 22.5°  
PV denotes Permanent ventilation  
G.L denotes Ground Level

### REVISION HISTORY

No	Date	Description

### PROJECT DESCRIPTION

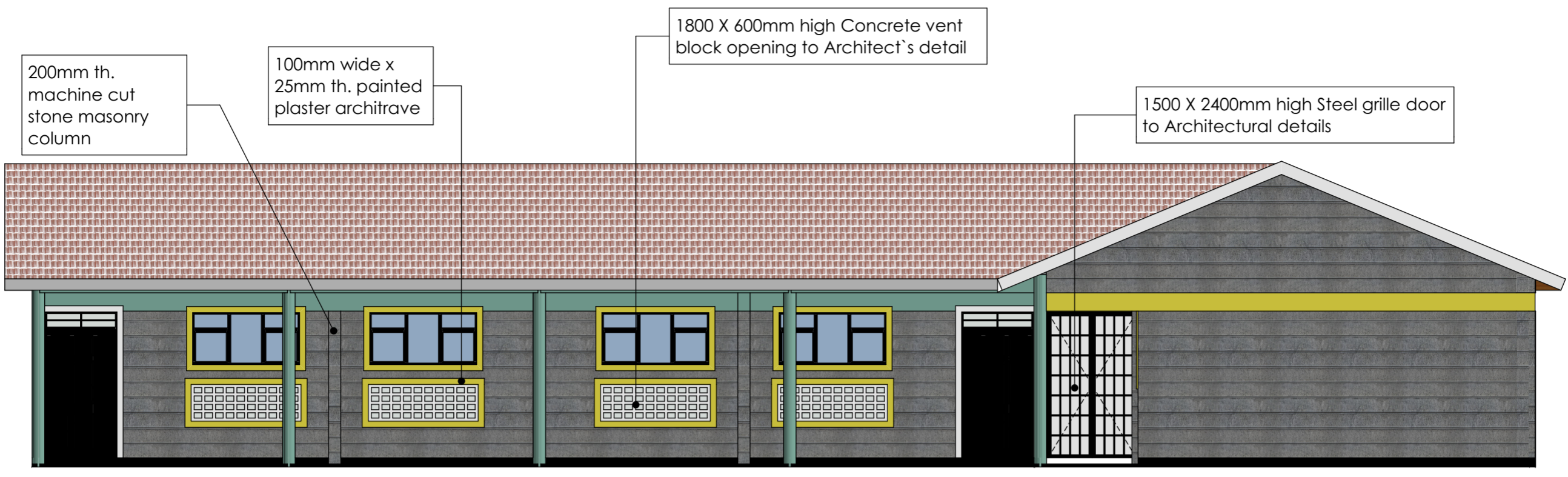
**PROJECT:** Proposed Tuition Block  
**L.R. No.** #L.R. No.  
**SITE LOCATION:** Siaya County  
**JOB No.** #1  
**DRAWING No.** #1/3

### DRAWING DESCRIPTION

**DRAWING TITLE:** Floor Plan  
**SCALE:** AS SHOWN  
**DATE:** October 2024  
**DESIGNED/DRAWN:** Masika W.  
**CHECKED:** Ministry of Public Works

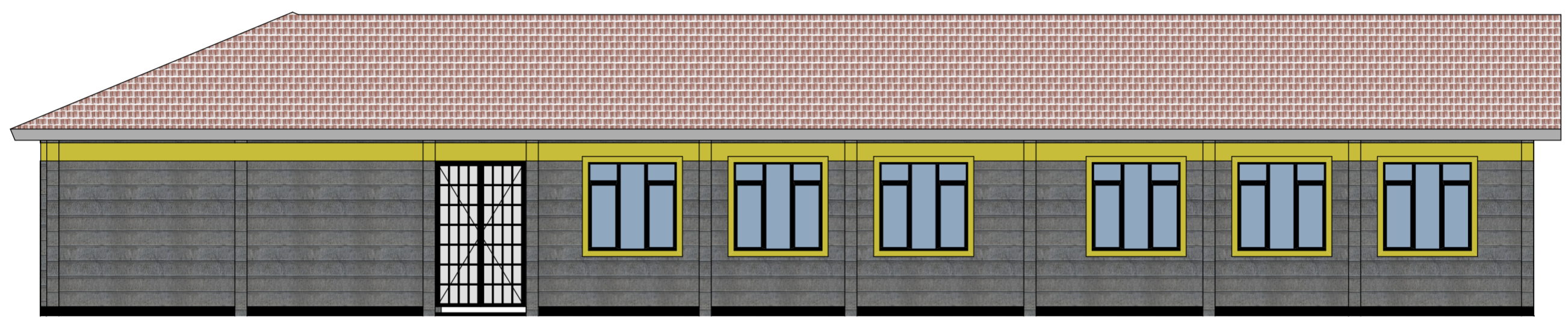
### CLIENT

Uguya Technical & Vocational College  
P.O. BOX 74-40614, Sega- Kenya  
0115107907



**E-01 Elevation**

1:75



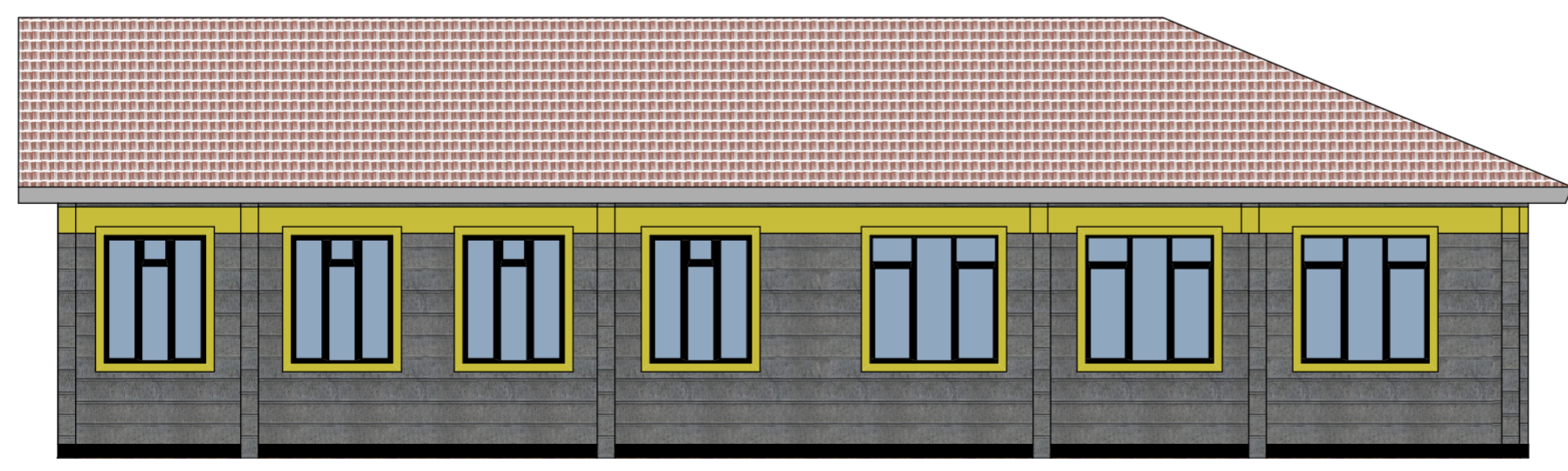
**E-02 Elevation**

1:75



**E-03 Elevation**

1:75



**E-04 Elevation**

1:75

**NOTES**

Do not scale off dimensions.  
Only figured dimensions maybe used.  
All dimensions must be verified on site; any discrepancies must be referred to the architect.

All dimensions in mm unless stated otherwise  
All structural details to structural engineer's details  
Provide a roof pitch of 22.5°  
PV denotes Permanent ventilation  
G.L denotes Ground Level

**Revision History**

No	Date	Description

**PROJECT DESCRIPTION**

**PROJECT:**  
Proposed Tuition Block

**L.R. No.** #L.R. No.

**SITE LOCATION:** Siaya County

**JOB No.** #1

**DRAWING No.** #1/4

**DRAWING DESCRIPTION**

**DRAWING TITLE:**  
ELEVATIONS

**SCALE:** AS SHOWN

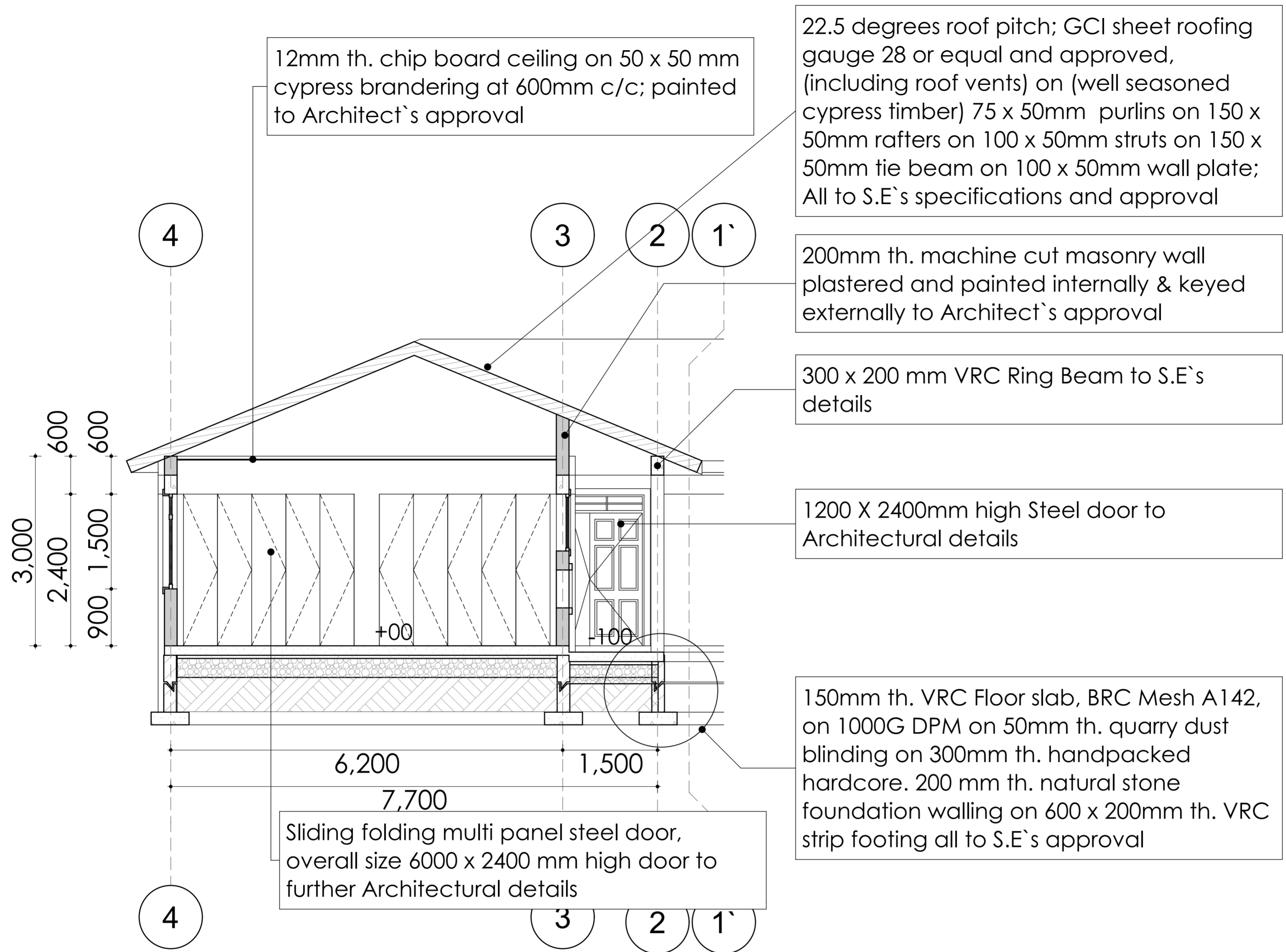
**DATE:** October 2024

**DRAWN:** Masika W.

**CHECKED:** Ministry of Public Works

**CLIENT**

Ugwenya Technical & Vocational College  
P.O. BOX 74-40614, Segal- Kenya  
0115107907



12mm th. chip board ceiling on 50 x 50 mm cypress branding at 600mm c/c; painted to Architect's approval

22.5 degrees roof pitch; GCI sheet roofing gauge 28 or equal and approved, (including roof vents) on (well seasoned cypress timber) 75 x 50mm purlins on 150 x 50mm rafters on 100 x 50mm struts on 150 x 50mm tie beam on 100 x 50mm wall plate; All to S.E's specifications and approval

200mm th. machine cut masonry wall plastered and painted internally & keyed externally to Architect's approval

300 x 200 mm VRC Ring Beam to S.E's details

1200 X 2400mm high Steel door to Architectural details

150mm th. VRC Floor slab, BRC Mesh A142, on 1000G DPM on 50mm th. quarry dust blinding on 300mm th. handpacked hardcore. 200 mm th. natural stone foundation walling on 600 x 200mm th. VRC strip footing all to S.E's approval

Sliding folding multi panel steel door, overall size 6000 x 2400 mm high door to further Architectural details

### S-01 Building Section

1:50

NOTES		REVISION HISTORY	PROJECT DESCRIPTION	DRAWING DESCRIPTION	CLIENT															
Do not scale off dimensions.	All dimensions in mm unless stated otherwise	<table border="1"> <thead> <tr> <th>No</th> <th>Date</th> <th>Description</th> </tr> </thead> <tbody> <tr><td> </td><td> </td><td> </td></tr> <tr><td> </td><td> </td><td> </td></tr> <tr><td> </td><td> </td><td> </td></tr> <tr><td> </td><td> </td><td> </td></tr> </tbody> </table>	No	Date	Description													<b>PROJECT:</b> Proposed Tuition Block <b>L.R. No.</b> #L.R. No. <b>SITE LOCATION:</b> Siaya County <b>JOB No.</b> #1 <b>DRAWING No.</b> #1/5	<b>DRAWING TITLE:</b> S-01 Building Section <b>SCALE:</b> AS SHOWN <b>DATE:</b> October 2024 <b>DESIGNED/DRAWN:</b> Masika W. <b>CHECKED:</b> Ministry of Public Works	Ugenya Technical & Vocational College P.O. BOX 74-40614, Segar- Kenya 0115107907
No	Date	Description																		
Only figured dimensions maybe used.	All structural details to structural engineer's details & approval																			
All dimensions must be verified on site; any discrepancies must be referred to the architect.	Provide a roof pitch of 22.5° PV denotes Permanent ventilation G.L denotes Ground Level																			

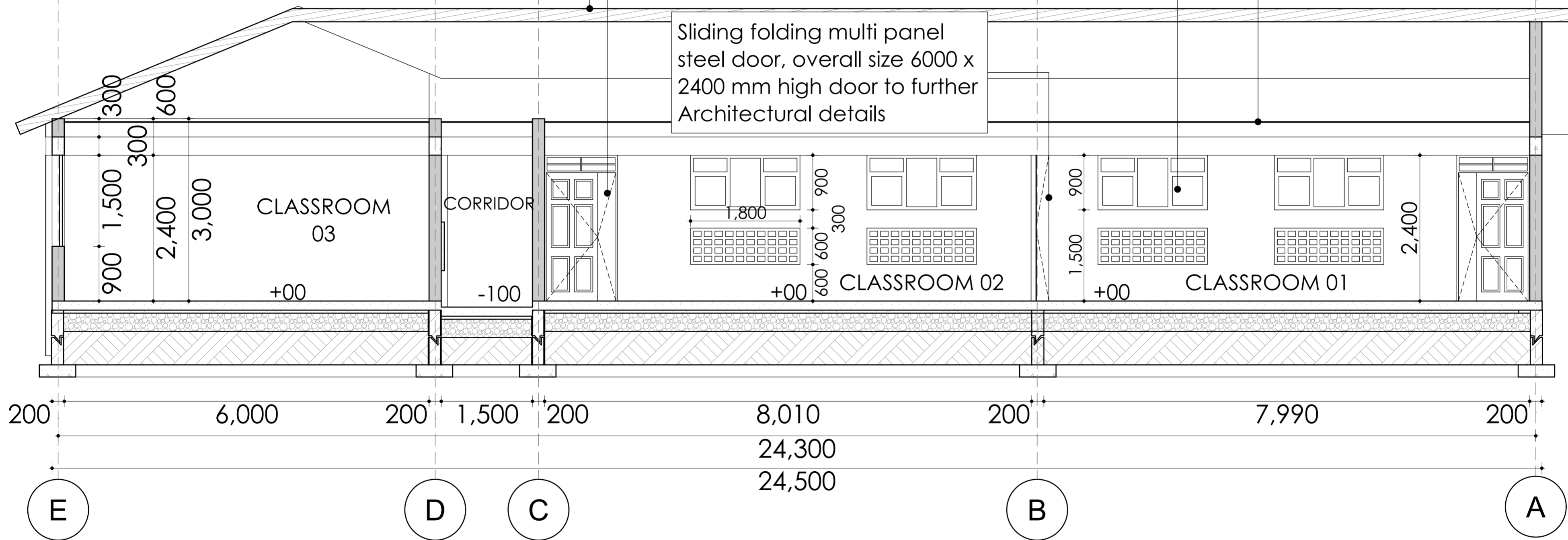
22.5 degrees roof pitch; GCI sheet roofing gauge 28 or equal and approved, (including roof vents) on (well seasoned cypress timber) 75 x 50mm purlins on 150 x 50mm rafters on 100 x 50mm struts on 150 x 50mm tie beam on 100 x 50mm wall plate; All to S.E's specifications and approval

1800 x 900 mm high steel casement window to Architect's detail

12mm th. chip board ceiling on 50 x 50 mm cypress brandering at 600mm c/c; painted to Architect's approval

1200 X 2400mm high Steel door to Architectural details

Sliding folding multi panel steel door, overall size 6000 x 2400 mm high door to further Architectural details



**S-02 Building Section**

1:50

**NOTES**

Do not scale off dimensions.  
Only figured dimensions maybe used.  
All dimensions must be verified on site; any discrepancies must be referred to the architect.

All dimensions in mm unless stated otherwise  
All structural details to structural engineer's details & approval  
Provide a roof pitch of 22.5°  
PV denotes Permanent ventilation  
G.L denotes Ground Level

**REVISION HISTORY**

No	Date	Description

**PROJECT DESCRIPTION**

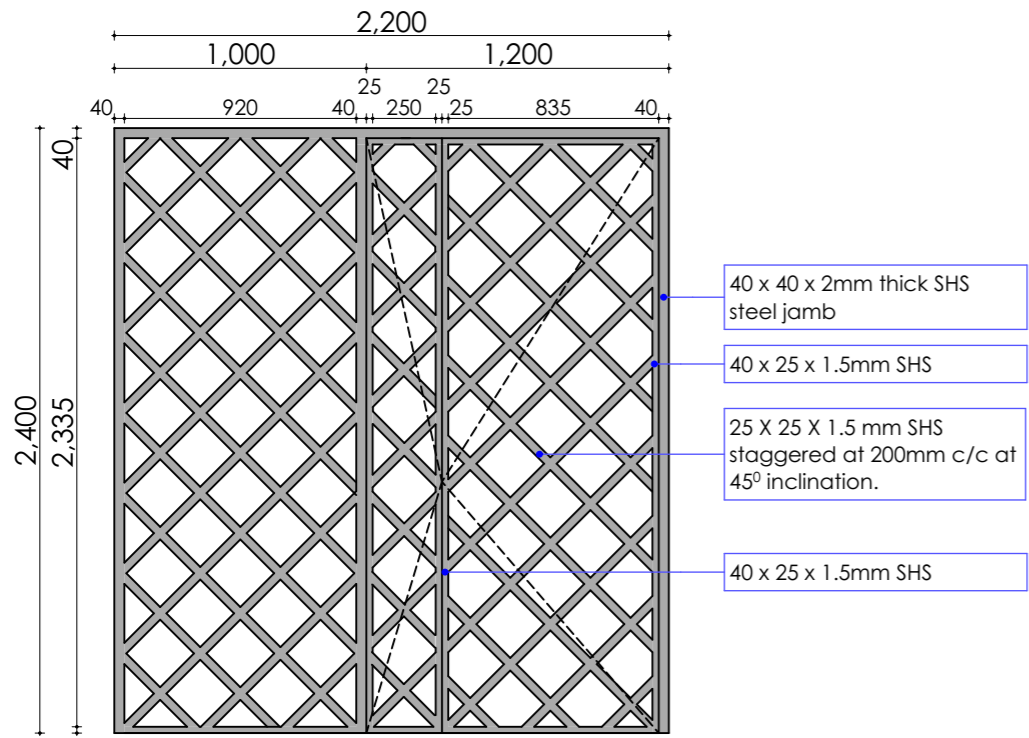
**PROJECT:** Proposed Tuition Block  
**L.R. No.** #L.R. No.  
**SITE LOCATION:** Siaya County  
**JOB No.** #1  
**DRAWING No.** #1/6

**DRAWING DESCRIPTION**

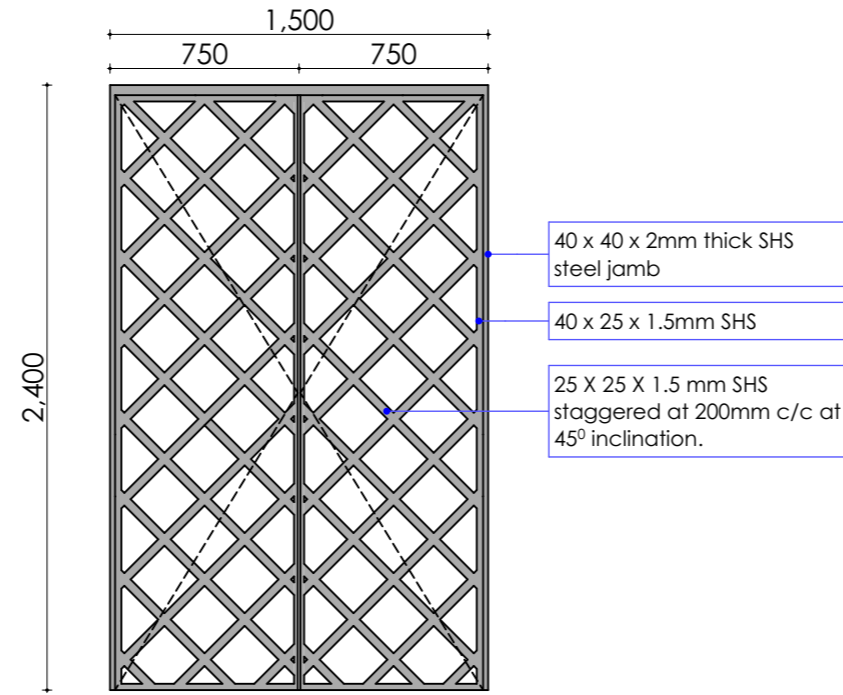
**DRAWING TITLE:** S-02 Building Section  
**SCALE:** AS SHOWN  
**DATE:** October 2024  
**DESIGNED/DRAWN:** Masika W.  
**CHECKED:** Ministry of Public Works

**CLIENT**

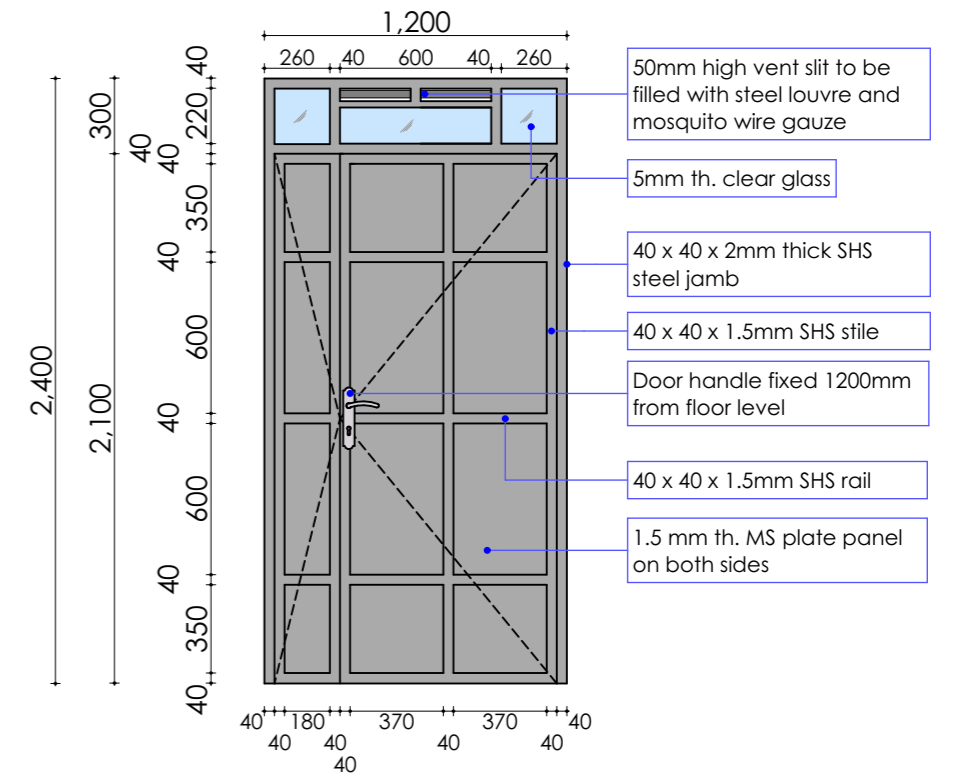
Uguya Technical & Vocational College  
P.O. BOX 74-40614, Seg-a- Kenya  
0115107907



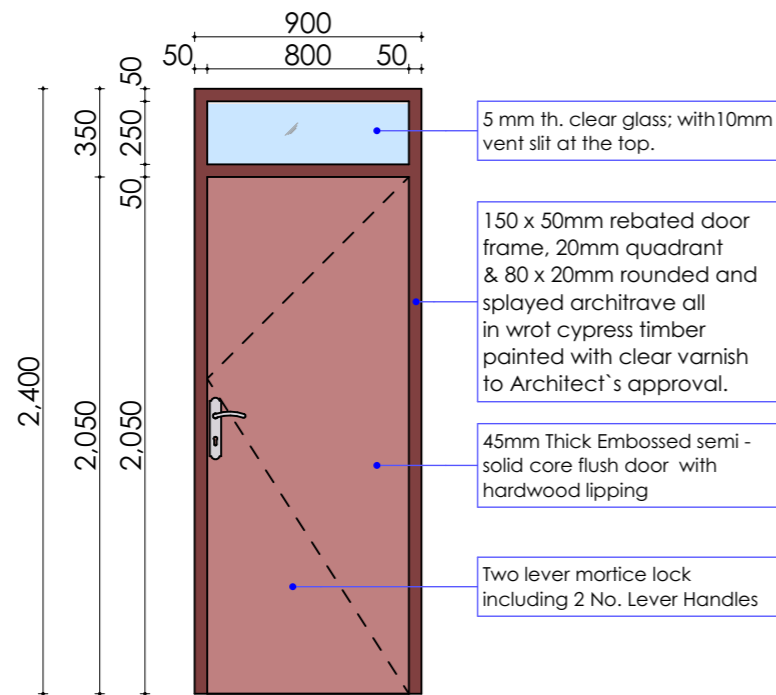
**Door D-01 (1 No.) 1:30**



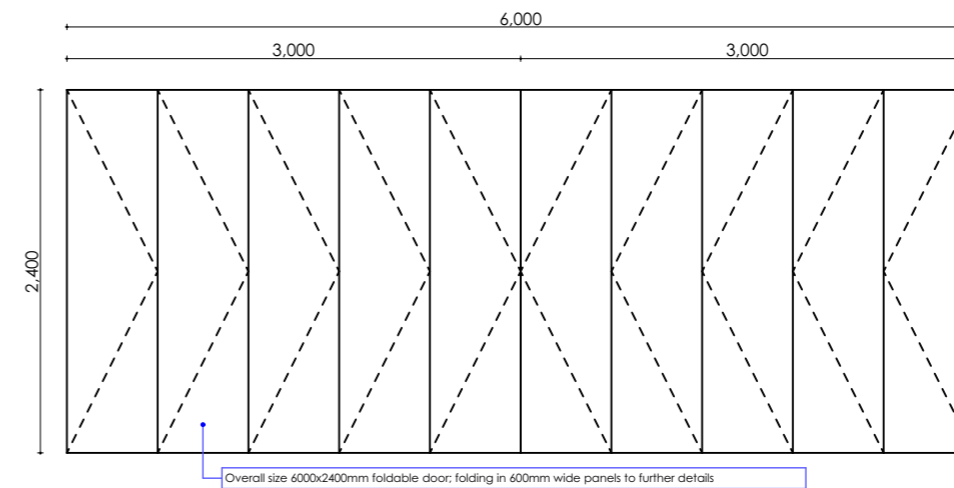
**Door D-02 (1 No.) 1:30**



**Door D-03 (3 No.) 1:30**



**Door D-04 (4 No.) 1:30**



**Door D-05 (1No.) 1:50**

**NOTES**

**REVISION HISTORY**

**PROJECT DESCRIPTION**

**DRAWING DESCRIPTION**

**CLIENT**

Do not scale off dimensions.

Only figured dimensions maybe used.

All dimensions must be verified on site; any discrepancies must be referred to the architect.

All dimensions in mm unless stated otherwise

All structural details to structural engineer's details

Provide a roof pitch of ##  
PV denotes Permanent ventilation  
G.L denotes Ground Level

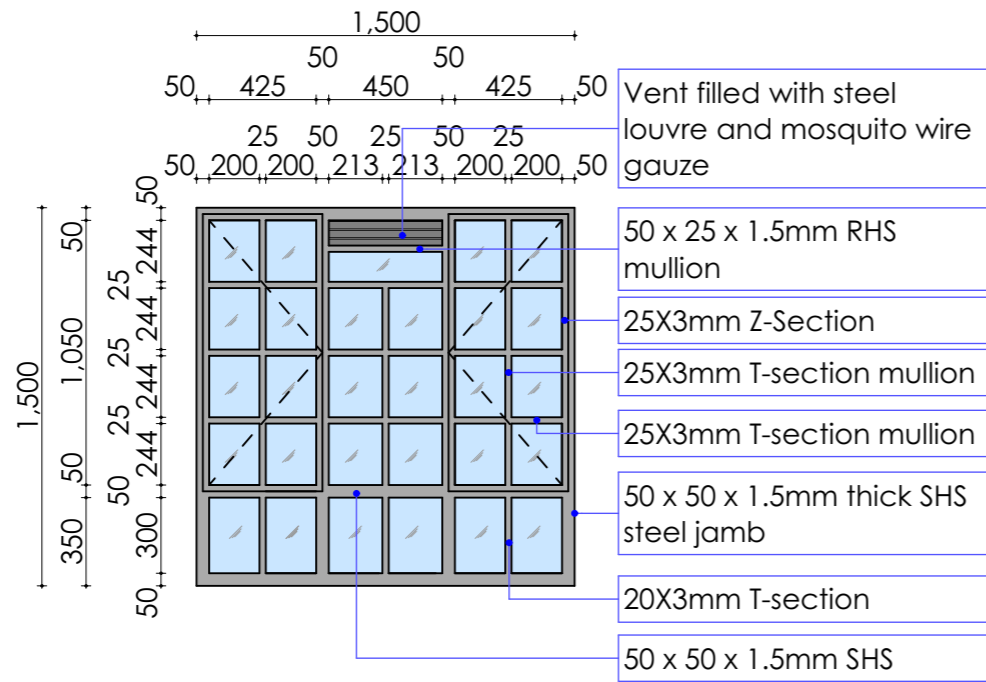
No	Date	Description

<b>PROJECT:</b> Proposed Tuition Block
<b>L.R. No.</b> #L.R. No.
<b>SITE LOCATION:</b> Siaya County
<b>JOB No.</b> #1
<b>DRAWING No.</b> #1/7

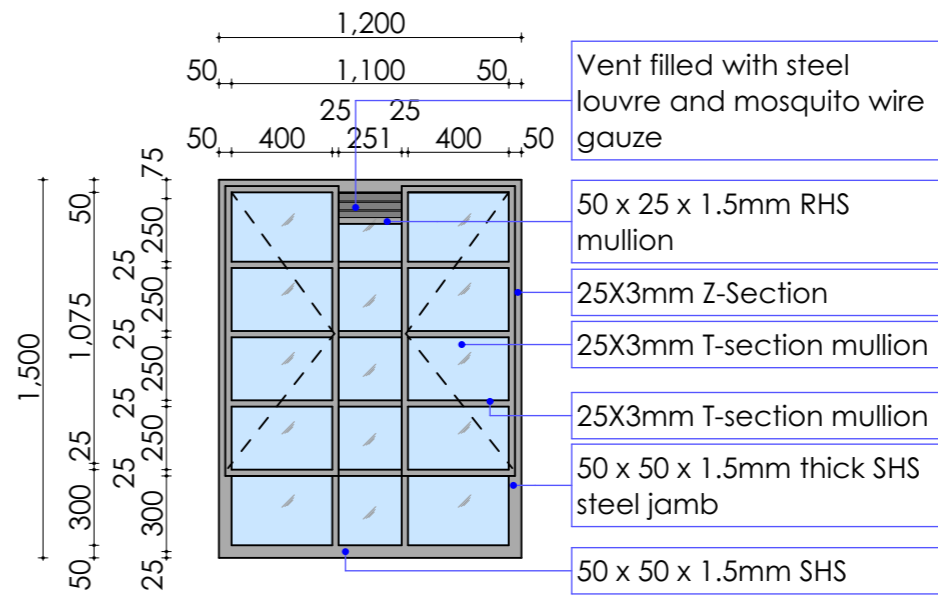
<b>DRAWING TITLE:</b> DOOR SCHEDULE
<b>SCALE:</b> AS SHOWN
<b>DATE:</b> October 2024
<b>DESIGNED/DRAWN:</b> Masika W.

Uguya Technical & Vocational College  
P.O. BOX 74-40614, Segla- Kenya  
0115107907

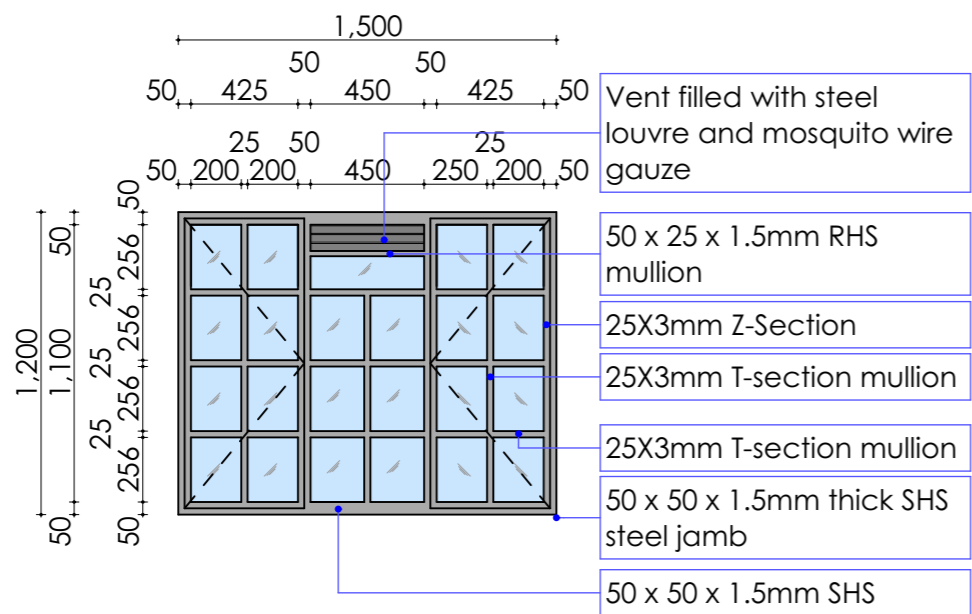




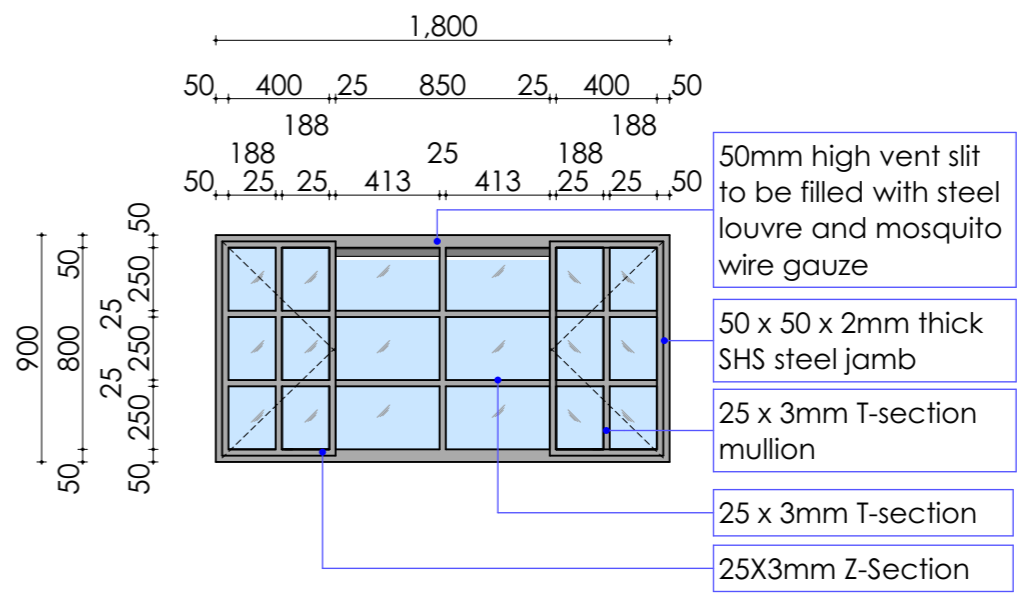
**Window 01 - 1500 x 1500 mm (9 No.)**



**Window 03 - 1200 x 1500 mm (4 No.)**



**Window 02 - 1500 x 1200 mm (2 No.)**



**Window 4 - 1800 x 900 mm (6 No.)**

**All openable sashes to open at 180° angle after installation.**

**NOTES**

Do not scale off dimensions.  
Only figured dimensions maybe used.  
All dimensions must be verified on site; any discrepancies must be referred to the architect.

All dimensions in mm unless stated otherwise  
All structural details to structural engineer's details  
Provide a roof pitch of ##  
PV denotes Permanent ventilation  
G.L denotes Ground Level

**REVISION HISTORY**

No	Date	Description

**PROJECT DESCRIPTION**

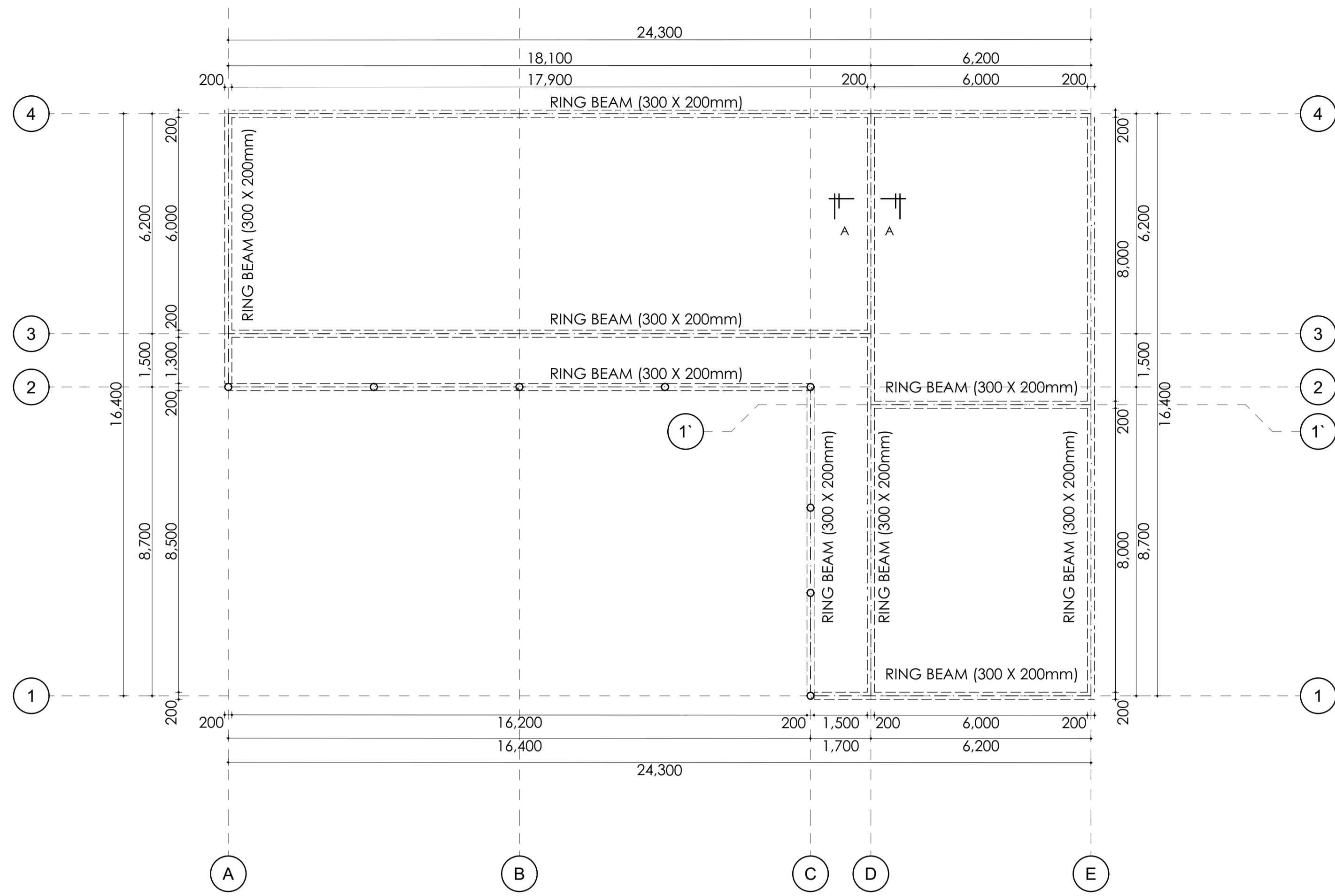
**PROJECT:** Proposed Tuition Block  
**L.R. No.** #L.R. No.  
**SITE LOCATION:** Siaya County  
**JOB No.** #1  
**DRAWING No.** #1/8

**DRAWING DESCRIPTION**

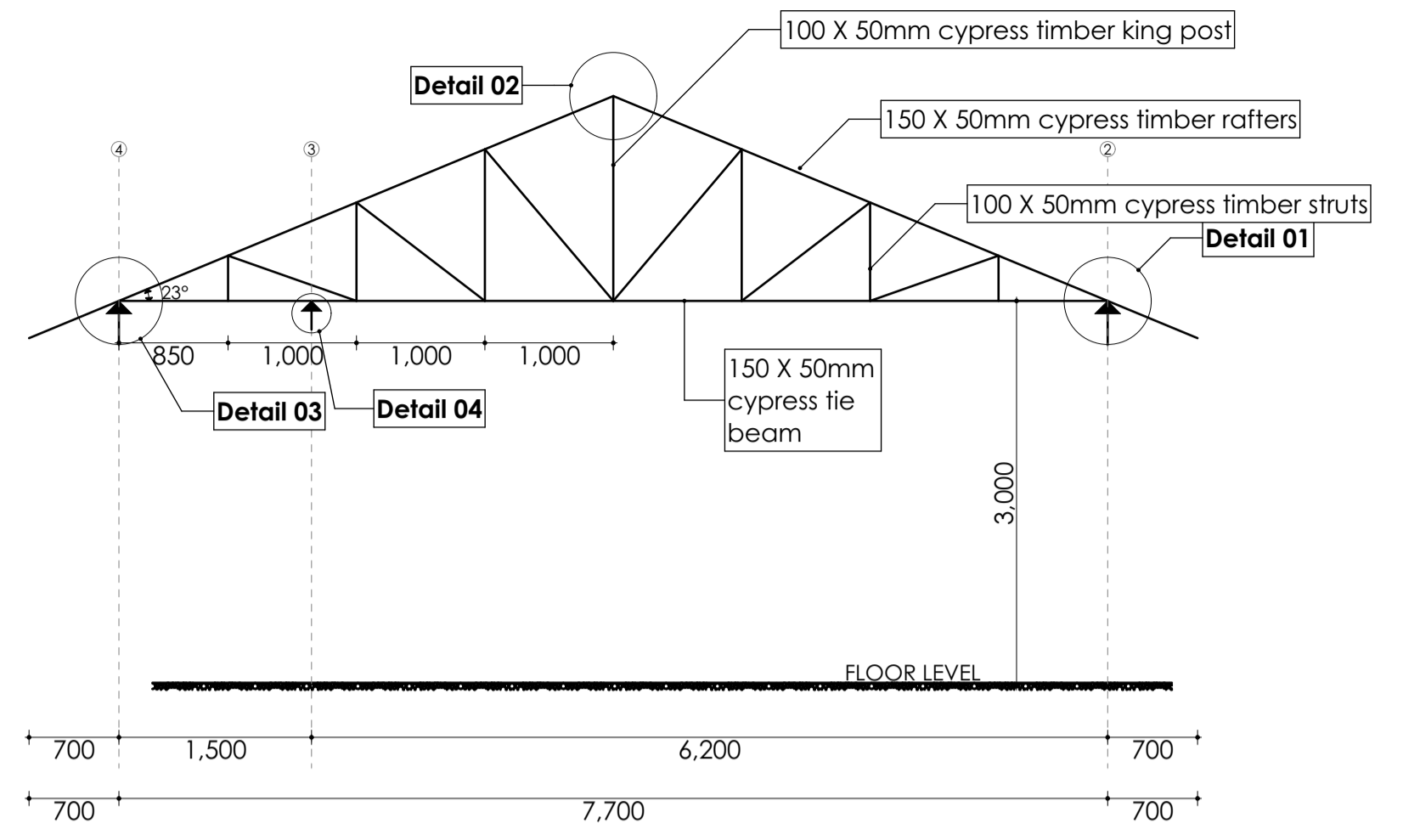
**DRAWING TITLE:** WINDOW SCHEDULE  
**SCALE:** AS SHOWN  
**DATE:** October 2024  
**DESIGNED/DRAWN:** Masika W.

**CLIENT**

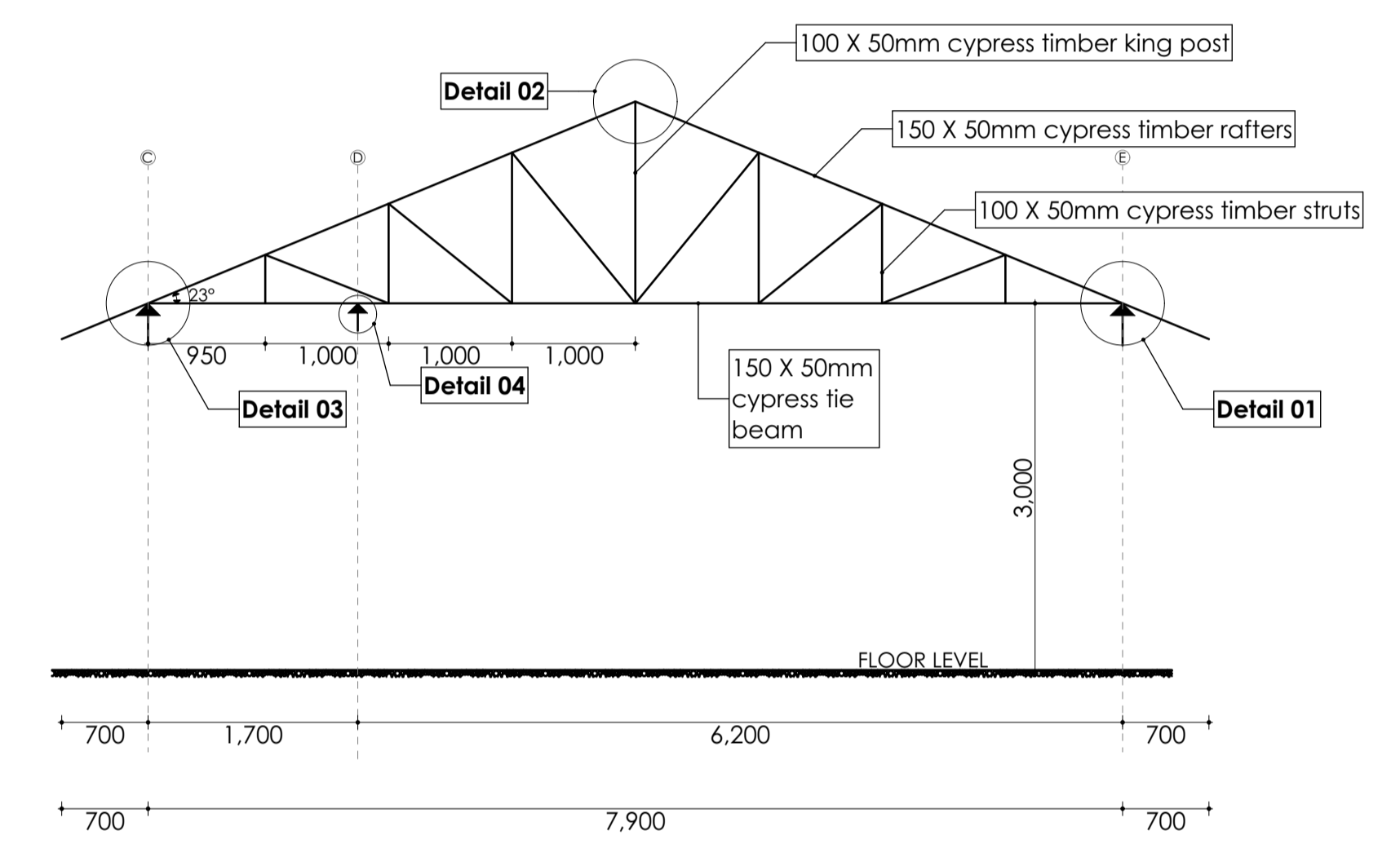
Uguya Technical & Vocational College  
P.O. BOX 74-40614, Sega- Kenya  
0115107907



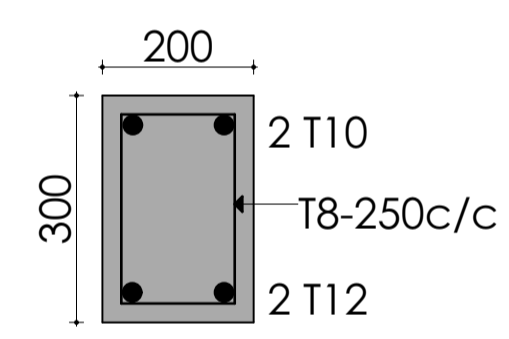
**Ring Beam Layout** 1:100



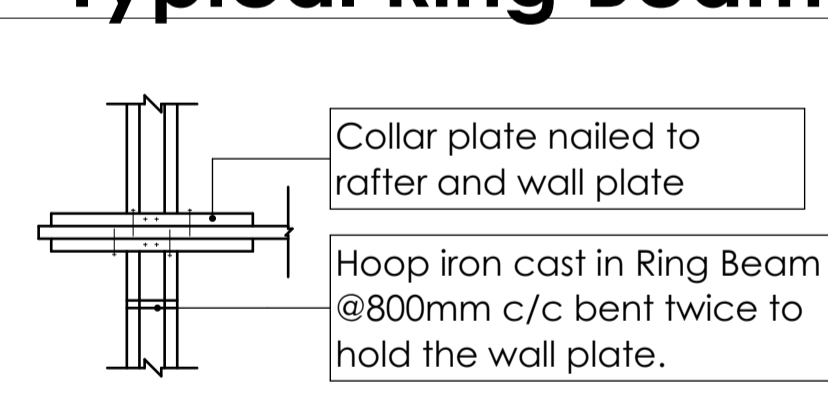
**Truss T1** 1:50



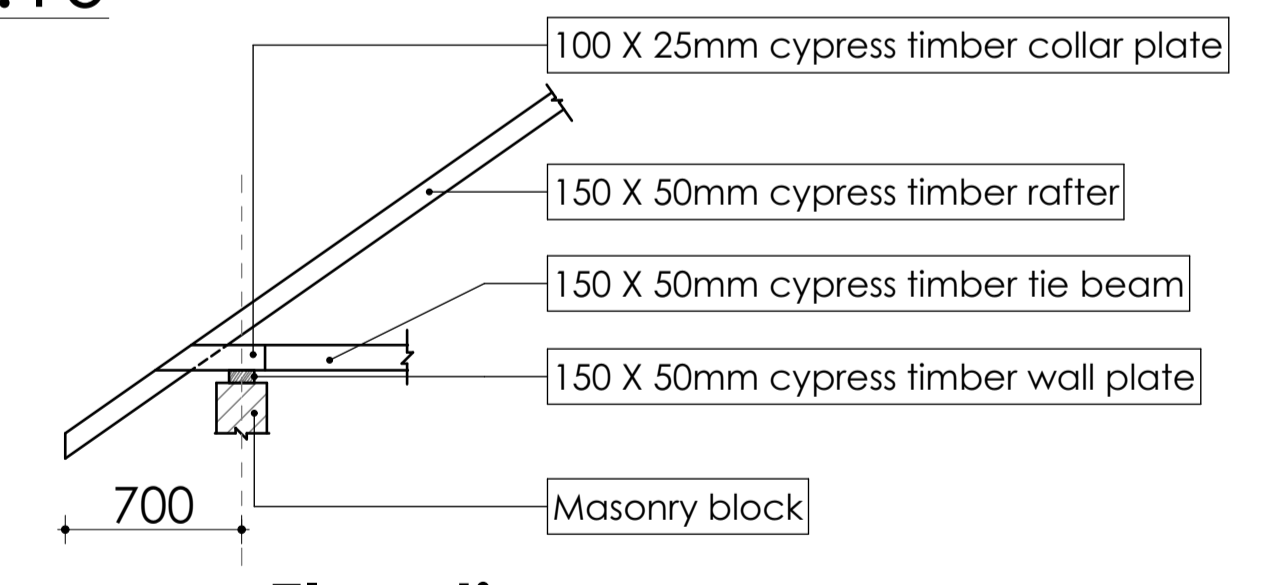
**Truss T2** 1:50



**Typical Ring Beam** 1:10

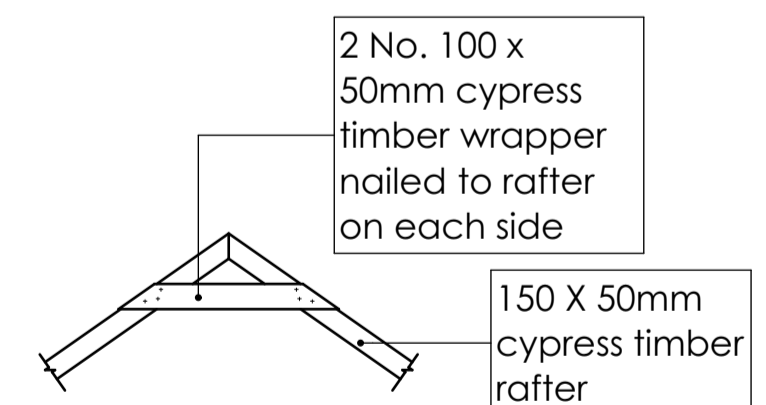


**Plan**

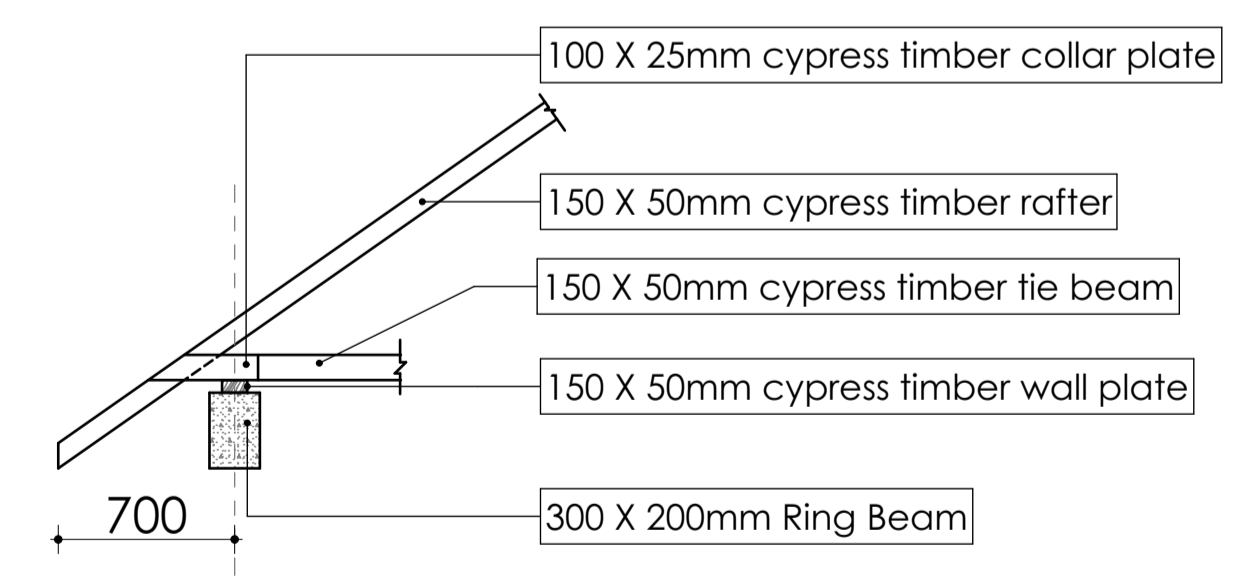


**Elevation**

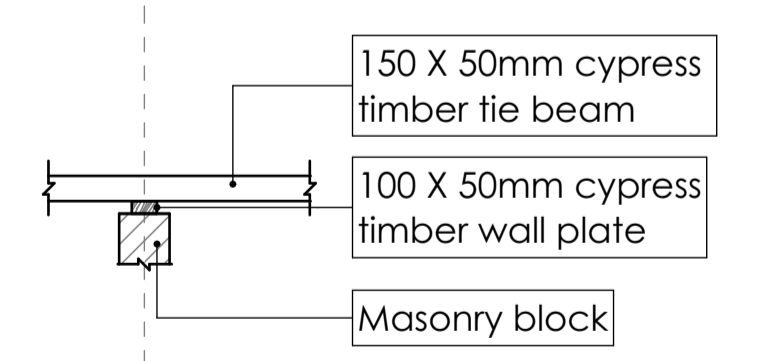
**Detail 01** 1:30



**Detail 02** 1:30

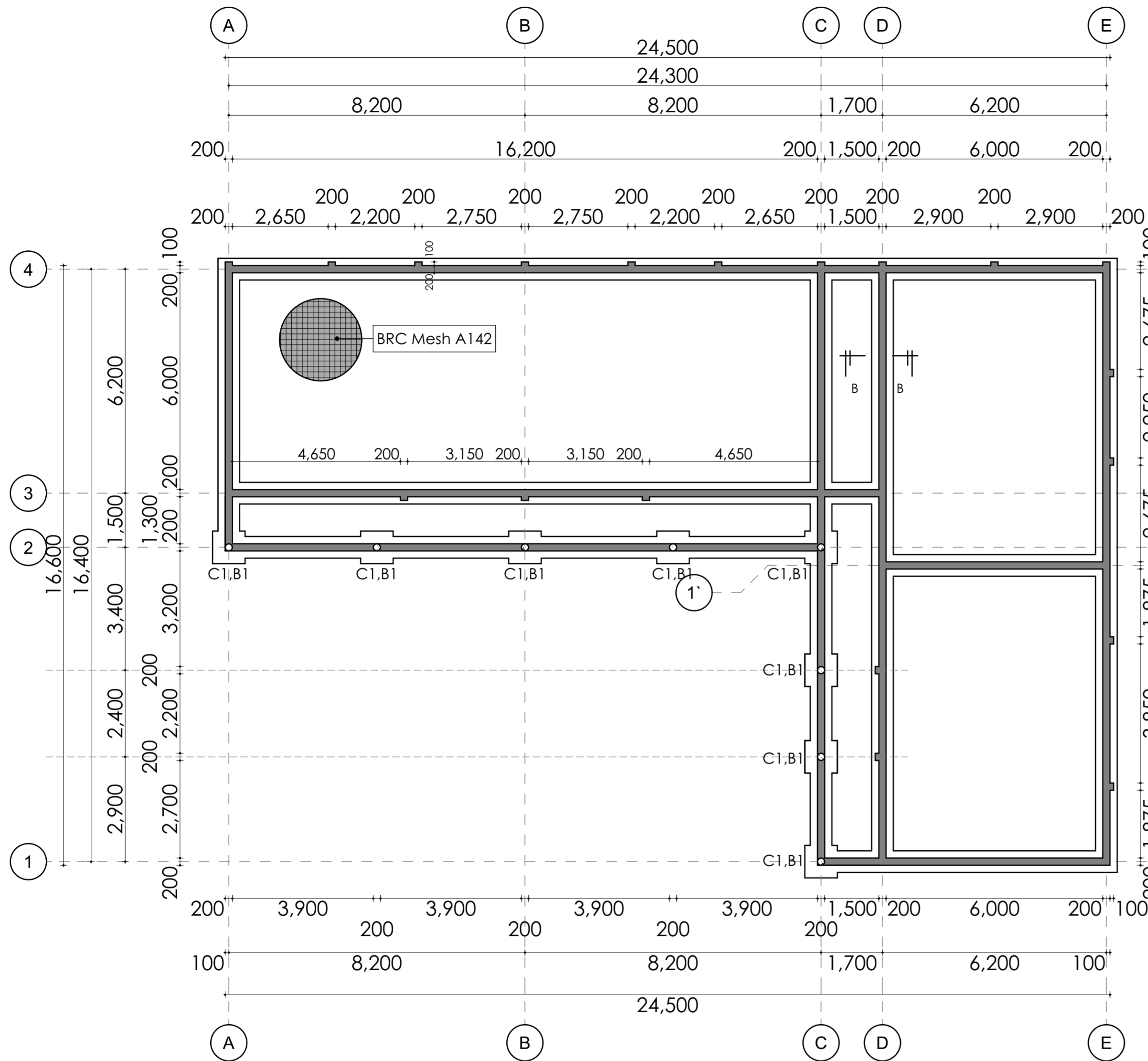


**Detail 03** 1:30



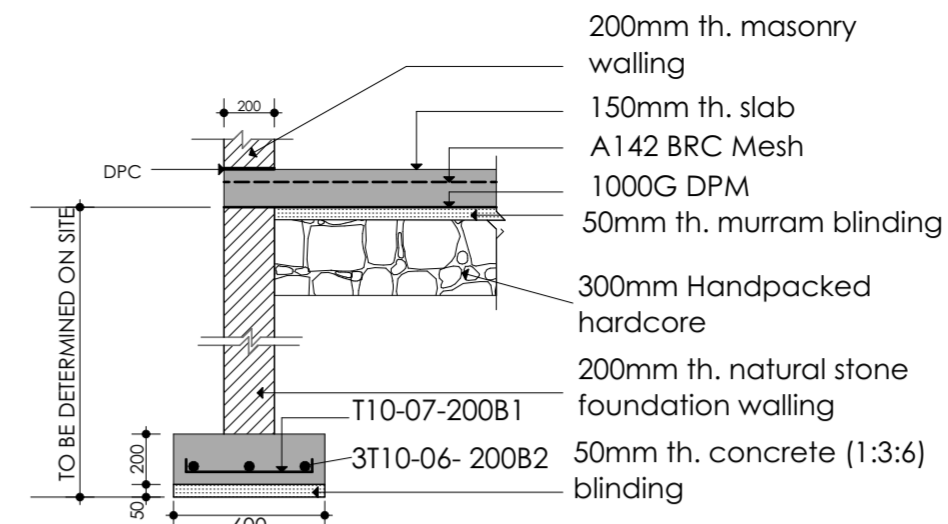
**Detail 04** 1:30

NOTES		REVISION HISTORY			PROJECT DESCRIPTION		DRAWING DESCRIPTION		CLIENT															
<p>Do not scale off dimensions. Only figured dimensions may be used. All dimensions must be verified on site; any discrepancies must be referred to the architect. The drawings should be read in conjunction with other attached design details.</p>		<p>All dimensions in mm unless stated otherwise. All structural details to structural engineer's details &amp; approval. Provide a roof pitch of 22.5°. PV denotes Permanent ventilation. G.L denotes Ground Level. The Ground floor level should be at least 300 mm from the finished Road level.</p>			<table border="1"> <thead> <tr> <th>No</th> <th>Date</th> <th>Description</th> </tr> </thead> <tbody> <tr><td> </td><td> </td><td> </td></tr> <tr><td> </td><td> </td><td> </td></tr> <tr><td> </td><td> </td><td> </td></tr> </tbody> </table>		No	Date	Description										<p><b>PROJECT:</b> Proposed Tuition Block</p> <p><b>L.R. No. #</b>L.R. No.</p> <p><b>SITE LOCATION:</b> Siaya County</p> <p><b>JOB No. #</b>1</p> <p><b>DRAWING No. #</b>1/9</p>		<p><b>DRAWING TITLE:</b> STRUCTURAL DETAILS</p> <p><b>SCALE:</b> AS SHOWN</p> <p><b>DATE:</b> October 2024</p> <p><b>DESIGNED/DRAWN:</b> Masika W.</p> <p><b>CHECKED:</b> Ministry of Public Works</p>		<p>Ugenda Technical &amp; Vocational College P.O. BOX 74-40614, Segar Kenya 0115107907</p>	
No	Date	Description																						

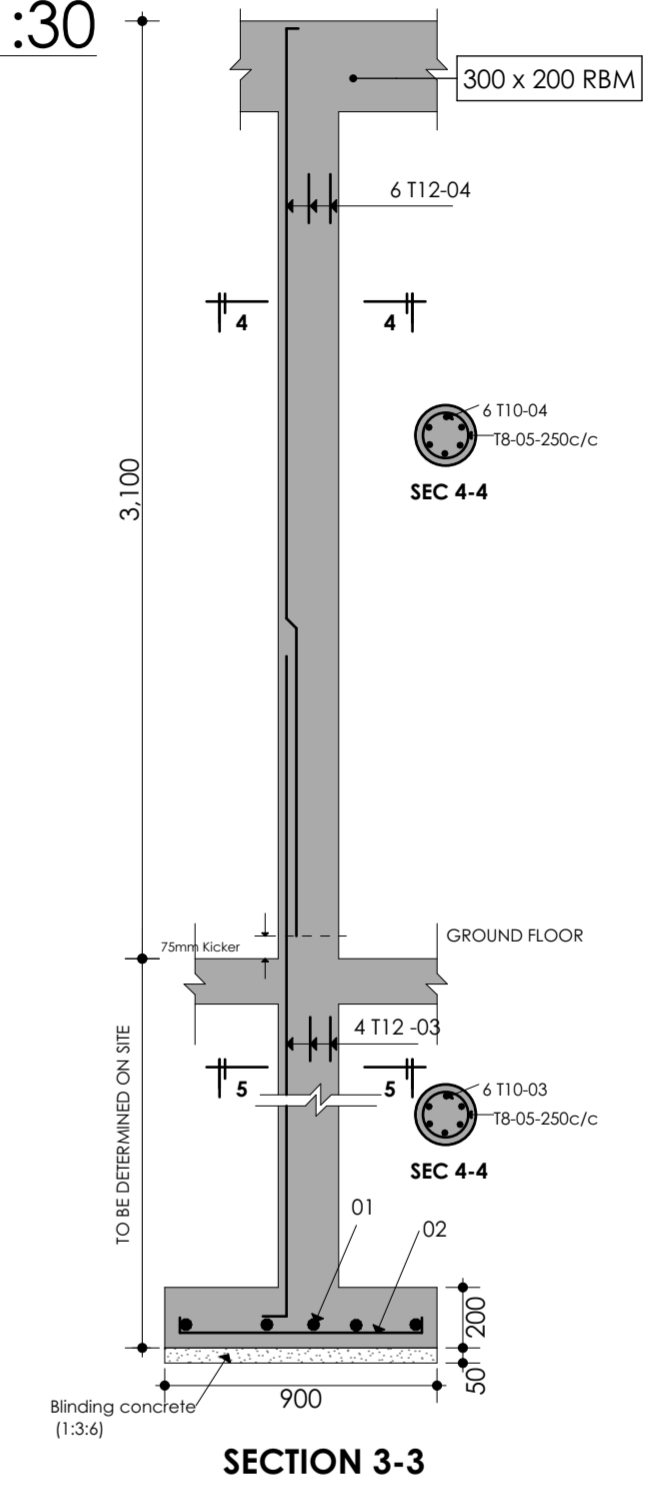


**Foundtion Layout**

1:100



**Strip Footing Details 1:30**



**SECTION 3-3**

**Typical Column Details 1:25**

**NOTES**

Do not scale off dimensions.  
Only figured dimensions maybe used.  
All dimensions must be verified on site; any discrepancies must be referred to the architect.

All dimensions in mm unless stated otherwise  
All structural details to structural engineer's details & approval  
Provide a roof pitch of 22.5°  
PV denotes Permanent ventilation  
G.L denotes Ground Level

**REVISION HISTORY**

No	Date	Description

**PROJECT DESCRIPTION**

**PROJECT:** Proposed Tuition Block  
**L.R. No.** #L.R. No.  
**SITE LOCATION:** Siaya County  
**JOB No.** #1  
**DRAWING No.** #1/10

**DRAWING DESCRIPTION**

**DRAWING TITLE:** Foundtion Layout, Strip Footing Details, Typical Column Details  
**SCALE:** AS SHOWN  
**DATE:** October 2024  
**DESIGNED/DRAWN:** Masika W.  
**CHECKED:** Ministry of Public Works

**CLIENT**

Uguya Technical & Vocational College  
P.O. BOX 74-40614, Segga- Kenya  
0115107907